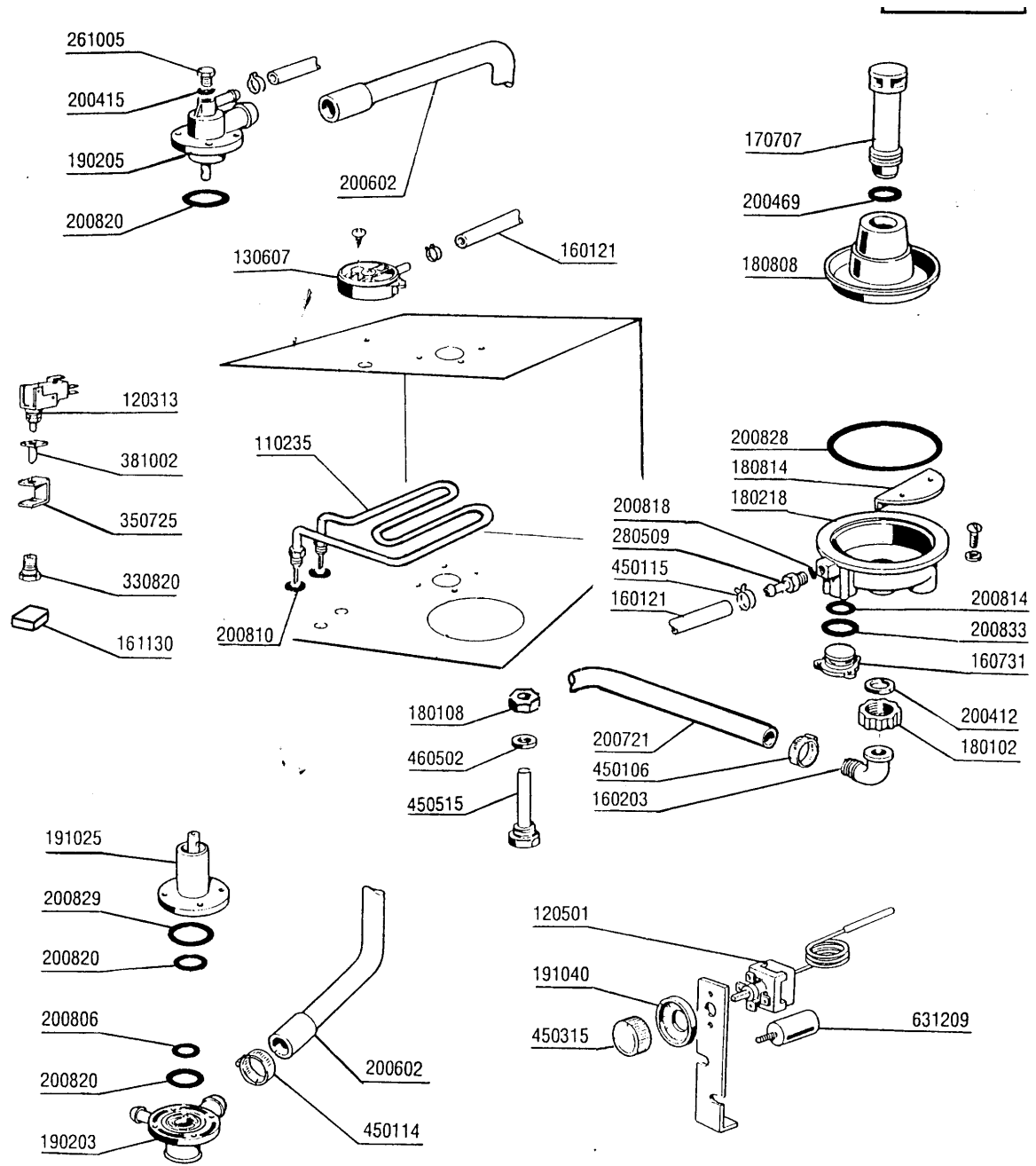


2 - Hood

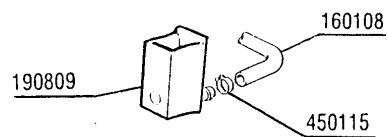
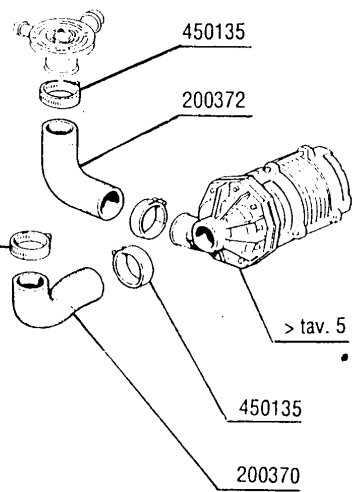
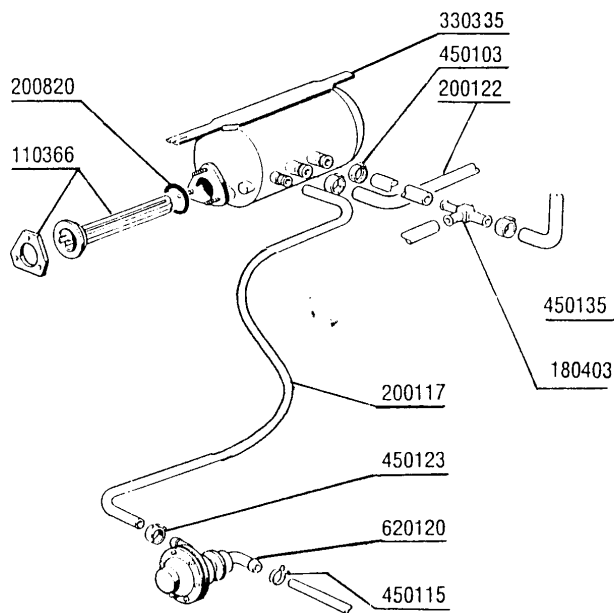
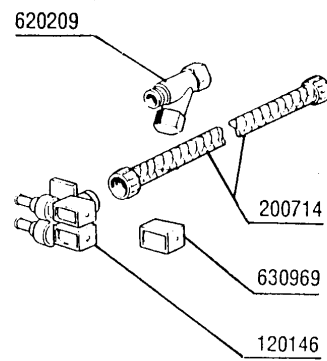
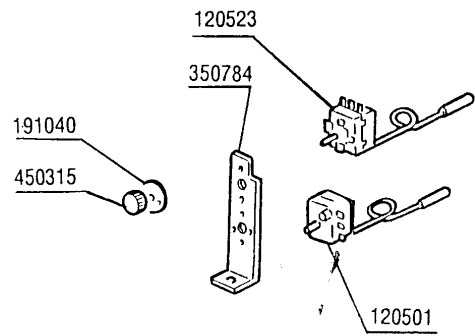
CODE	DESCRIPTION
160905	SLIDING PLATE F. TIE ROD
161101	BACK PANEL B18T-B19T
190130	RINSE AID CONTAINER SUPPORT F
190619	DOOR CATCH B-F-R
191047	RINSE AID FRAME F
200901	DOOR GASKET B-F
210204	FOOT FOR B20-10-11-12-15 ‡
210405	PLUG FOR HANDLE
250207	SPEC.NUTS F.DOOR ROD AISI 303
320344	COVER
320957	DOOR
321728	GUIDE
321729	GUIDE
321802	DOOR HINGE B-F
330209	TIE ROD 5MX305 F-45-55-65
331439	BRACKET FOR FRAME
341218	HINGE PIN B-F-G
351122	FRONT PANEL F20
381403	DOOR CATCH



3 - Wash

CODE	DESCRIPTION
110235	HEAT. ELEMENT/TANK 1800W 230V
120313	DOOR MICROSWITCH
120501	THERMOSTAT 30/90°C
130607	PRESSURE SWITCH 105/85 1 LEVE
160121	HOSE EPDM D. 5 X 9
160203	ELBOW 1"1/2 N-S-F-C /DRAIN
160731	PLUG
161130	DOOR MICRO SWITCH PROTECTION
170707	OVERFLOW PIPE H140-F2-45-55-R
180102	DRAIN PIPE NUT 1"1/2 F45-55
180108	PLASTIC NUT 1/2"
180218	SUCTION BASIN F2-B41
180808	STRAINER F2-45-55-80
180814	PROTECT.FILTER OF INLET PUMPE
190203	LOWER TEE WASH-RINSE F2-45-55-
190205	UPP.TEE WASH/RIN ARM F2-45-55-
191025	LOWER WASH ARM SUPP.B-F
191040	FRAME F.THERMOSTAT KNOB
200412	GASKET DRAIN 11/2" 45X33X3
200415	AIR TRAP GASKET -F2 18,5X10X3
200469	STAND PIPE O RING 45X35,5X7
200602	CONNEC.WASH HOSE B41UP./LOWER
200721	DRAIN HOSE 28X35 2MT.
200806	O-RING 2,62X13,10X18,34
200810	O-RING 2,62X9,92X15,6 F.GLASSW
200814	O-RING 34,52X41,58X3,53
200818	O-RING 1,78 X 6,75 X 10,31
200820	O-RING151 46,99X5,33X57,6
200828	O-RING 183,75X190,81X3,53
200829	O-RING 81,92X92,58X5,33
200833	O-RING 30X41X44,56
261005	SCREW F. TEE UP.WASH F2-B41
280509	CONNECT.F.PRESS.SWITCH
330820	BUSH DOOR SWITCH F2-20-45-5
350725	MICRO BRACKET F300-45-55-65
381002	PIN F.DOOR MICRO F2-20-45-55
450106	CLAMP FE ZN 32-44 H=12,2
450114	CLAMP FE ZN.22-32 H=12,2
450115	ELASTIC CLAMP D.8,3/7,8
450315	KNOB F. THERMOSTAT 90°
450515	STAINL.ST.SHIELD FOR 1 THERMOS
460502	GASKET 30X21X2
631209	ANTI-NOISE FILTER

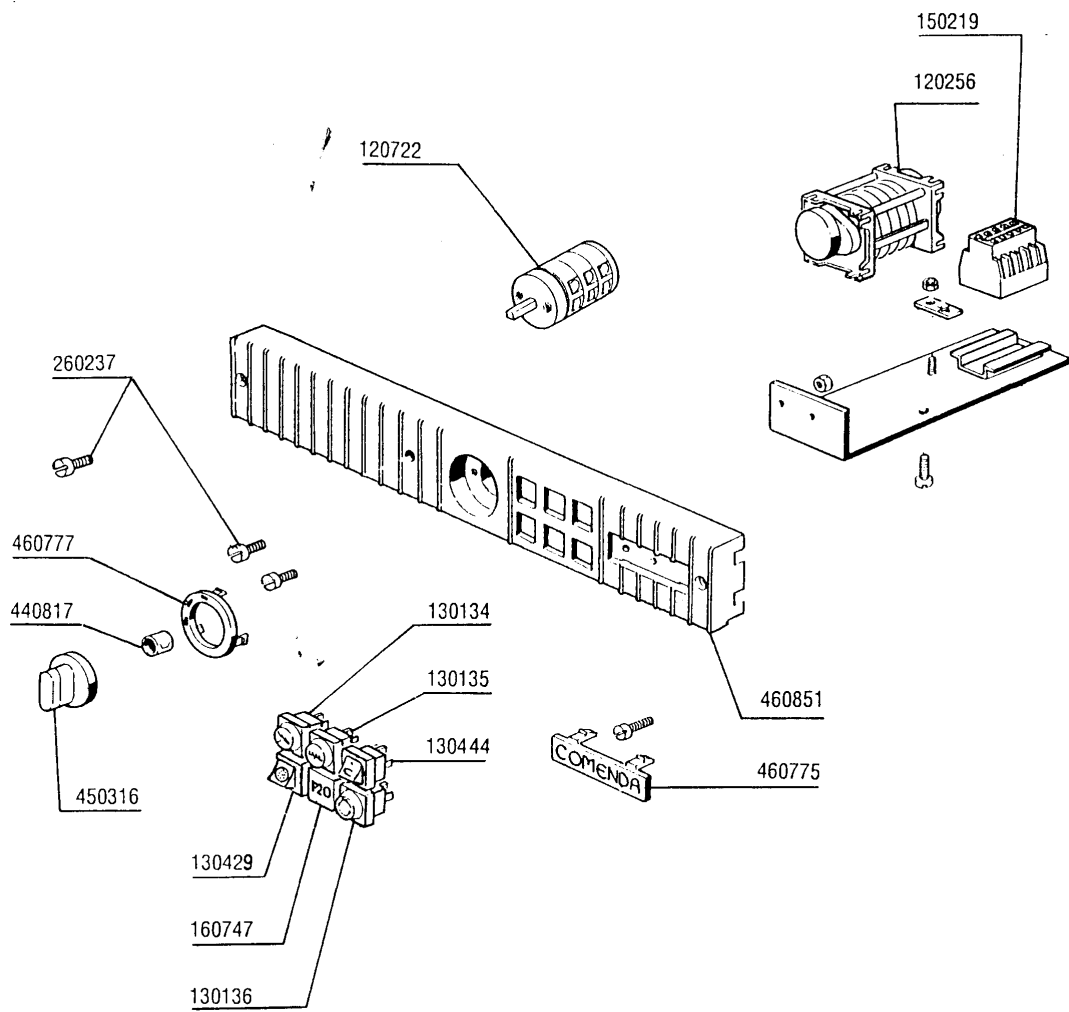
4 - Rinse assembly



4 - Rinse assembly

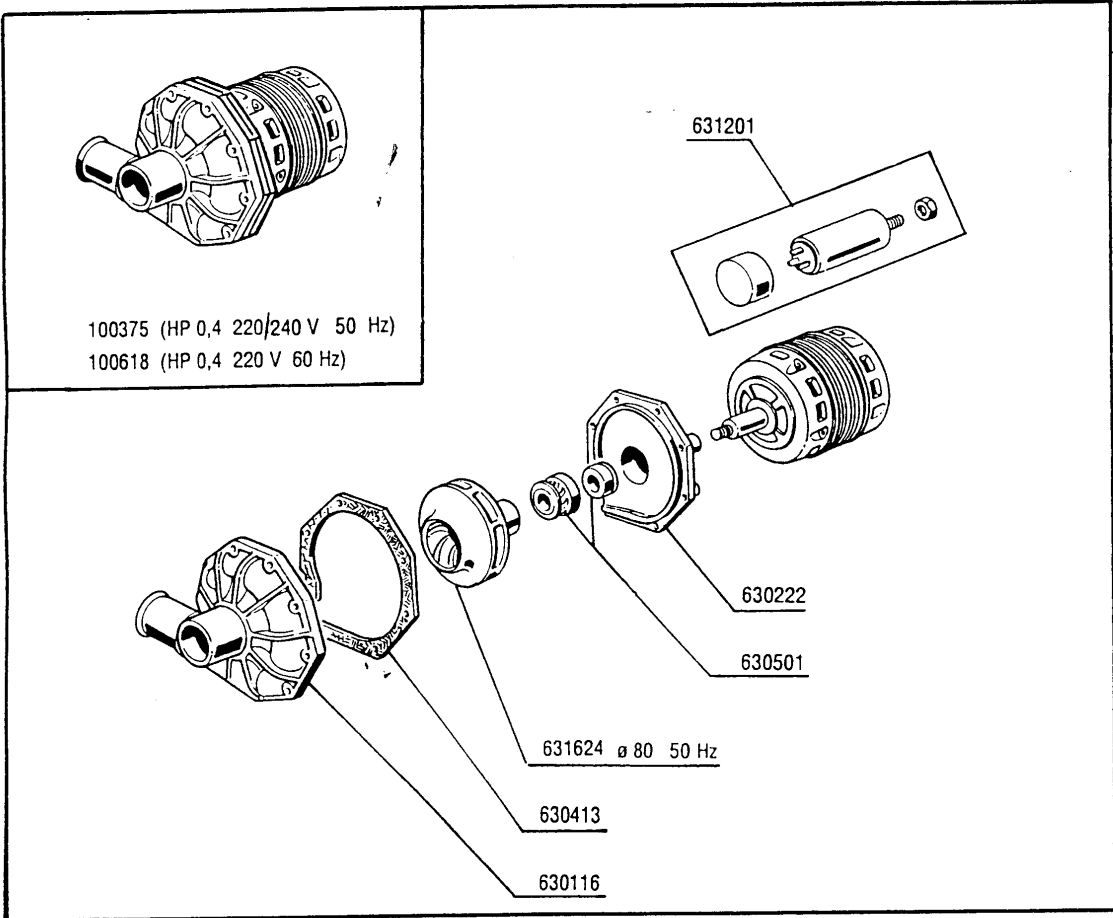
CODE	DESCRIPTION
110366	HEAT.ELEM./BOILER 3200W 230V
120146	SOLENOID VALVE 180Ø TYPE 2 WAY
120501	THERMOSTAT 30/90ØC
120523	SAFETY THERMOSTAT 110Ø
160108	INJECT.INLET HOSE D.8X5
180403	TEE-NIPPLE F2-F300-B10-11
190809	RINSE AID CONTAINER B10-19-45
191040	FRAME F.THERMOSTAT KNOB
200117	RUBBER HOSE 7X16
200122	HOSE 11X19
200370	PUMP INLET HOSE B41-F20-55
200372	OUTLET HOSE B41-F20
200714	GLASSWASHER INLET HOSE
200820	O-RING151 46,99X5,33X57,6
330335	BOILER F20
350784	BRACKET
450103	CLAMP FE ZN. 13-20 H=9
450115	ELASTIC CLAMP D.8,3/7,8
450123	CLAMP FE ZN. 8-14 H=9
450135	CLAMP FE ZN. 44-56 H=12,2
450315	KNOB F. THERMOSTAT 90Ø
620120	RINSE AID INJECTOR
620209	INLET WATER FILTER
630969	COIL S4216 220/50HZ

5 - Control box



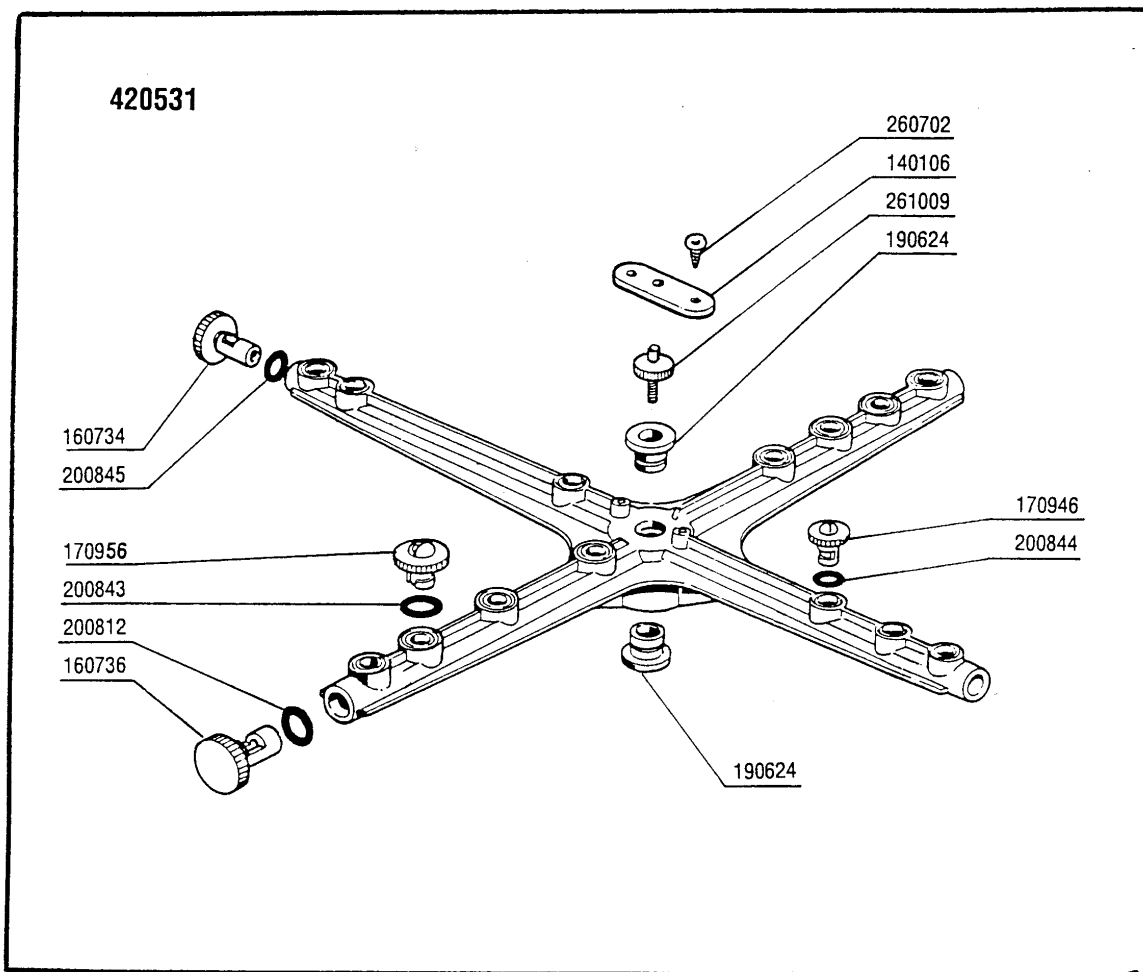
5 - Control box

CODE	DESCRIPTION
120256	TWIN MOTOR TIMER 5CAMS 180" NE
120722	6 POLE SWITVH 2 POSITIONS
130134	PILOT LAMP 220V
130135	PILOT LAMP: MACHINE READY B10>
130136	PILOT LAMP WORKING MACHINE
130429	PUSH BUTTON COLD RINSE B11T-B1
130444	SWITCH "START CYCLE" F
150219	TERMINAL BLOCK 5P MMQ165VD26
160747	PLUG (160733+460318)
260237	SCREW TCP 5X25 BLACK
440817	SNAP RING LSCB/1853/17/00
450316	CONTROL KNOB TWO COLOURS B-BT-
460775	LABEL (460817)
460777	SWITCH PLATE WITH 3 SYMB.
460851	PLATE F20



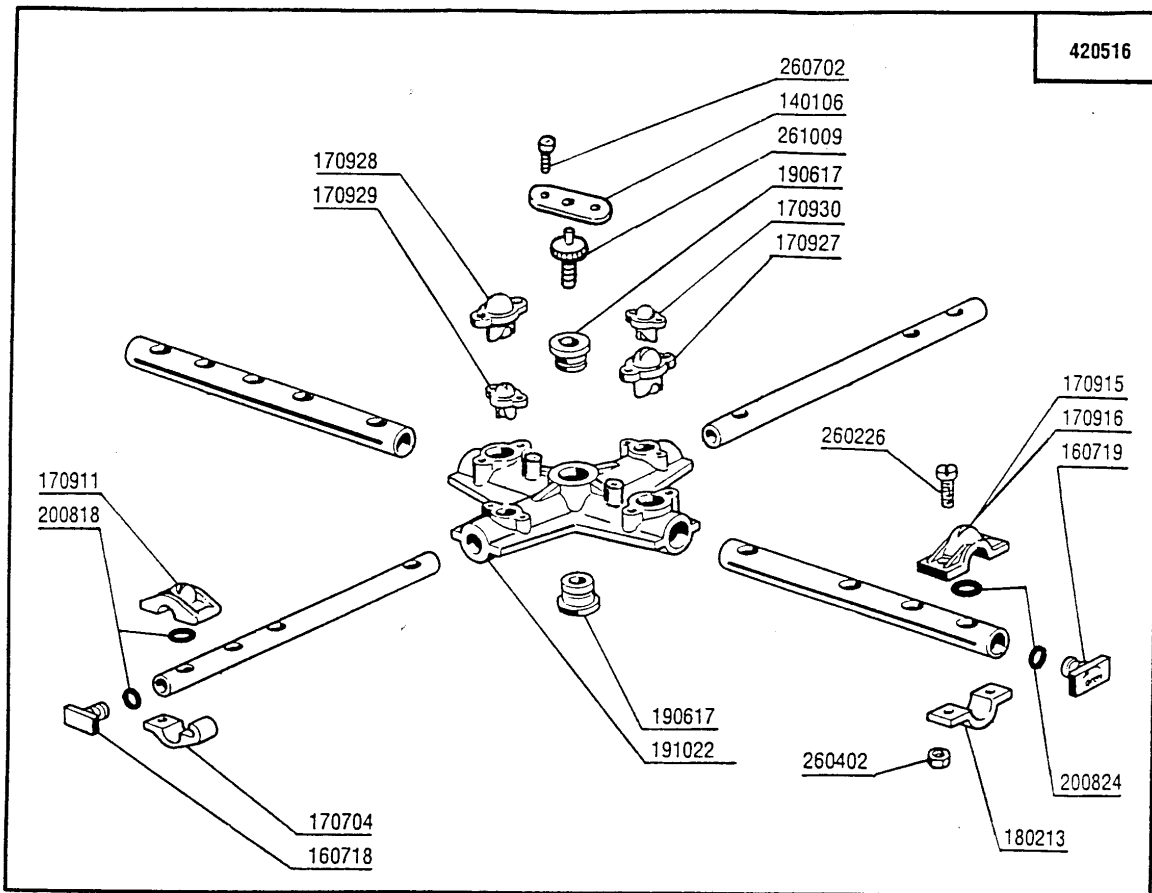
6 - Pump

CODE	DESCRIPTION
100375	PUMP IB HP 0,4 220V 50HZ (1007
100618	PUMP HP 0,4 220/60HZ (100715)
630116	-NO MORE AVAILABLE
630222	COVER PUMP IB HP 0,4
630413	-NO MORE AVAILABLE
630501	SEAL FOR PUMP HP 2-3-3,2
631201	CONDENSER 8MF 450V
631624	-NO MORE AVAILABLE



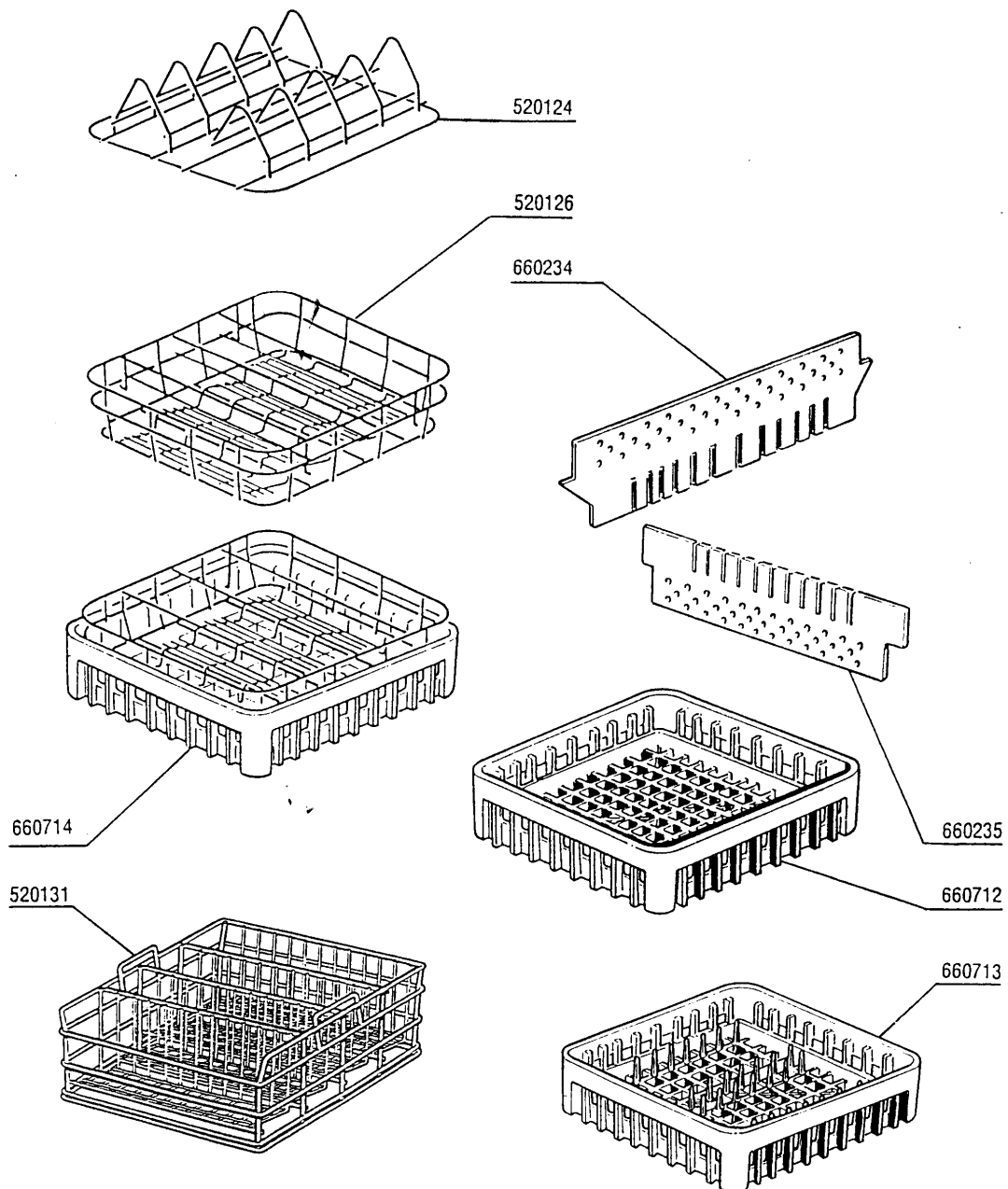
7 - Wash arm

CODE	DESCRIPTION
140106	PLATE F.CLAMP SCREW/WASH-RINSE
160734	END PLUGS RINSE ARM
160736	WASH ARM PLUG F45
170946	RINSE JET/RINSE ARM B-F
170956	WASH JET/WASH ARM B-F20
190624	BUSH FOR PLASTIC ARM F45
200812	O-RING 1,78X17,17X20,73
200843	O RING 2X13X17
200844	O RING 2X9,5X13,5
200845	O RING 109 2,62X9,13X14,37
260702	SELF-TAPPING SCREW 4,2X9,5 DIN
261009	RETAIN.SCREW FOR WASH-RINSE AR
420531	PLASTIC WASH-RINSE ARM F20-B



8 - Wash arm

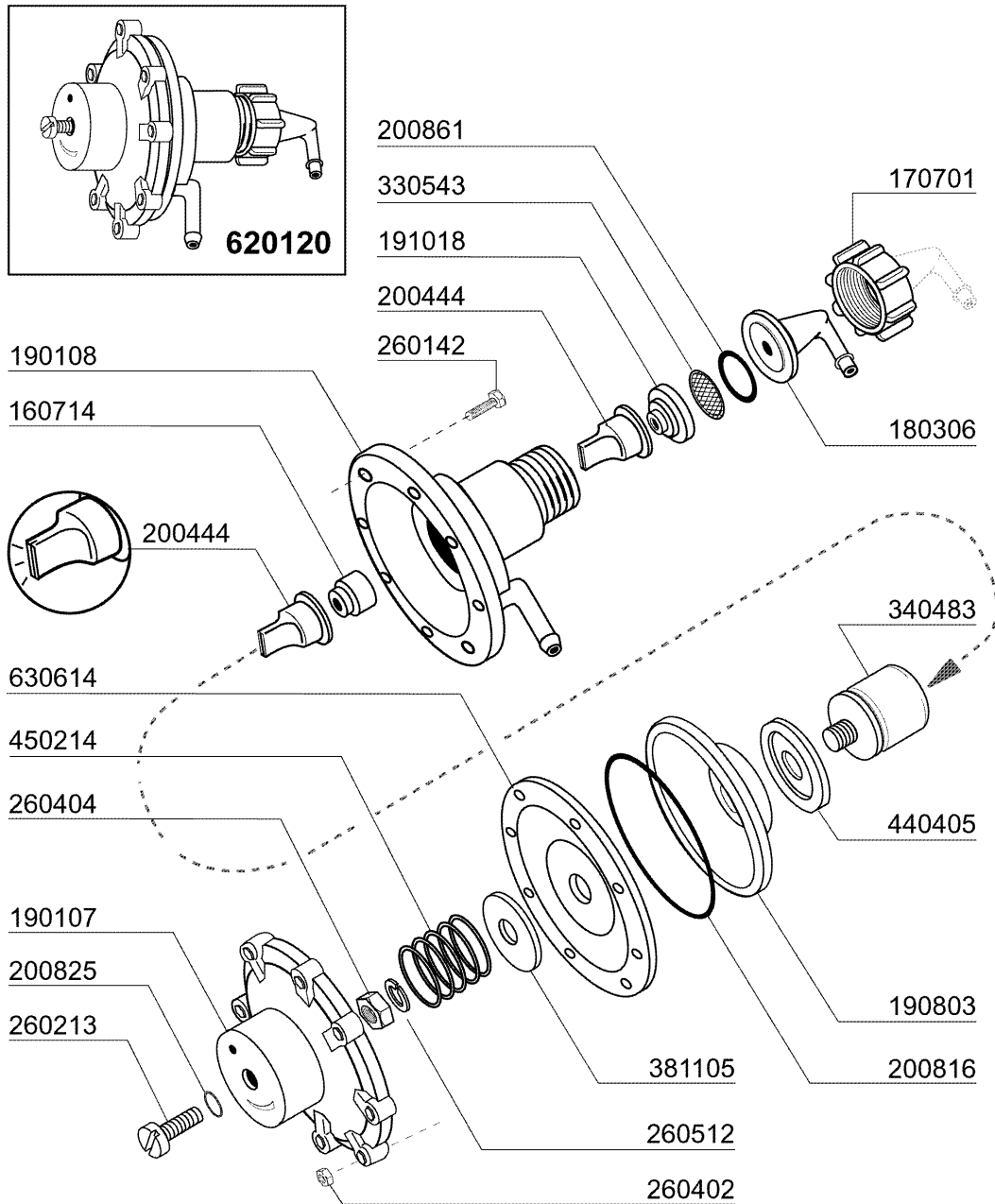
CODE	DESCRIPTION
140106	PLATE F.CLAMP SCREW/WASH-RINSE
160718	PLUG F. RINSE ARM F2-C34M
160719	PLUG FOR WASH ARM D.18
170704	RINSE NOZZLE BOTTOM F-B-C33
170911	RINSE JET B23-F2-C34
170915	RIGHT JET B-F
170916	LEFT JET B-F
170927	WASH JET F2-C-GRAY
170928	IDLE JET F2-C-GRAY
170929	RINSE JET F2-C-GRAY
170930	IDLE JET F2-C-GRAY
180213	FLANGE F.JET LOCKING F2-C34
190617	BUSH
191022	WASH ARM CENTRAL CROSS F-B
200818	O-RING 1,78 X 6,75 X 10,31
200824	O-RING 1,78X12,42X15,98
260226	STAINL.ST TCP SCREW 4X12 A2 UN
260402	STAINLESS STEEL NUT D4 UNI 55
260702	SELF-TAPPING SCREW 4,2X9,5 DIN
261009	RETAIN.SCREW FOR WASH-RINSE AR
420516	LOWER WASH-RINSE ARM B-BT-BTM



9 - Rack

CODE	DESCRIPTION
520124	INSERT FOR 8 PLATES
520126	GLASS INSERT (400X400)
520131	GLASS RACK 40X40 H270
660234	UPPER INSERT FOR 16-25-36 GLAS
660235	LOWER INSERT FOR 16-25-36 GLAS
660712	BASE RACK 400X400
660713	PLATE RACK 400X400
660714	GLASS RACK (400X400)

10 - Rinse aid injector



02 - 2004 | S. AG.

10 - Rinse aid injector

CODE	DESCRIPTION
160714	PLUG FOR RINSE AID INJECTOR MO
170701	LOCK NUT 1/2" F.INJECTOR
180306	NIPPLE F.RINSE AID INJECTOR
190107	COVER FOR RINSE AID DISPENSER
190108	VOLUTE FOR RINSE AID DISPENSER
190803	GASKET SUPPORT RING F.INJECT
191018	FILTER SUPPORT RINSE AID INJEC
200444	SUCTION VALVE RINSE INJECTOR
200816	O-RING 2,5X59,2X64,2 RINSE INJ
200825	O-RING 3X5X11 RINSE INJECTOR
200861	O-RING 14X18X2
260142	SCREW TE 4X16
260213	SCREW TCP 5X25
260402	STAINLESS STEEL NUT D4 UNI 55
260404	STAINLESS STEEL NUTS D6 UNI 55
260512	ST/ST GROWER WASHER D6
330543	FILTER RINSE AID INJECTOR D.17
340483	PISTON FOR RINSE AID DISPENSER
381105	DIAPHRAGME DISC
440405	GASKET FOR RINSE AID INJ.
450214	SPRING RINSE AID INJECTOR
620120	RINSE AID INJECTOR
630614	DIAPHRAGM RINSE INJECTOR